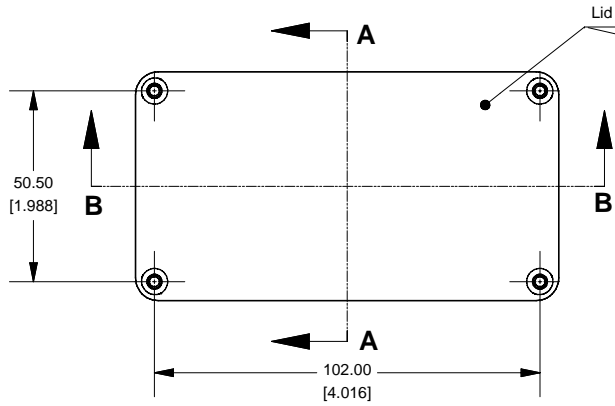
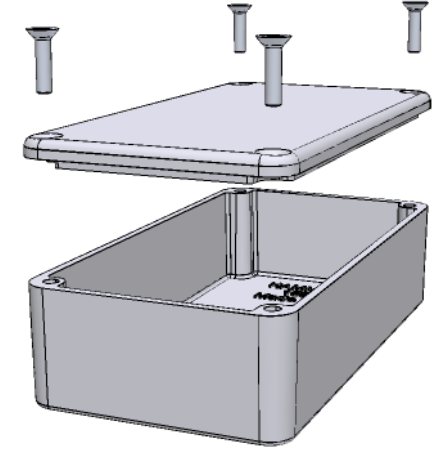
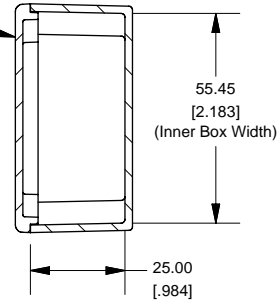


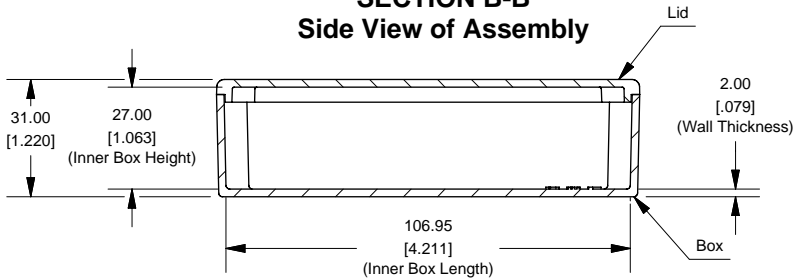
Top View of Assembly



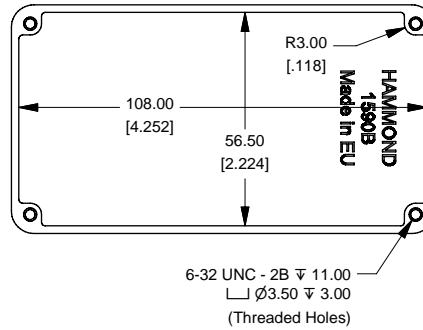
SECTION A-A End View of Assembly



SECTION B-B Side View of Assembly



Top View Looking Inside Box



Enclosures can be Factory Modified (Milling, Drilling, Printing etc.)
 Contact Factory mjm@hammondmfg.com for quotes
 Solid models of this enclosure available in STEP or IGES.

NOTE

Purchased assembly includes box, lid and 4 cover screws.
 Box and lid are made from Diecast Aluminum Alloy (alloy type 380).
 Silicone Gasket Loctite #5950

PART NUMBERS

| 1590B Enclosure | |
|---|--------------|
| Unfinished | 1590B |
| Grey Textured Polyester Powder Paint - RAL 7038 | 1590BGY |
| Black Textured Polyester Powder Paint - RAL 9011 | 1590BBK |
| 1590B Liquid Resistant Enclosure (Silicon Factory Installed Gasket) | |
| Unfinished | 1590WB |
| Black Textured Powder Paint | 1590WBBK |
| ACCESSORIES | |
| Recommended Torque: 75 ozf.in / 55 cN.m | |
| Black Textured Cover Screws (Pkg 50) [6-32 x 1/2" SS Type 304] | 1590WMS100BK |
| Unfinished Cover Screws (Pkg 100) [6-32 x 1/2" Nickel Plated Screws] | 1590WMS100 |
| Standard Cover Screws | |
| Unfinished Cover Screws (Pkg 100) [6-32 x 1/2" Nickel Plated Screws] | 1590MS100 |
| Black Textured Cover Screws (Pkg 50) [6-32 x 1/2" SS Type 304] | 1590MS100BK |

Lid

